

GeoCue
8/4/2025
Version 1.0

FreeFly Astro Max Installation Guide – TrueView One





CONTENTS

TRUEVIEW One 3

 Payload Adapter installation items 3

 Tools Needed 3

 Installing the mount 4

Installing the antenna 5

 For Astro Standard landing gear 5

 For Sentera extended landing gear 6

Disposal 7

Support 8



TRUEVIEW One

This guide applies to the Trueview One series payloads.

Payload Adapter installation items

Part Number	Part Name	Quantity
MNT1002006A01T	Freefly Astro antenna mount	1
	Astro Max GNSS coaxial cable (250mm)	1
HDW1000151A00N	M3 x 8mm socket head screw	2
MIS1000254A00N	243 Medium Strength Tread Locker (Loctite)	1

Table 1. BOM

Tools Needed

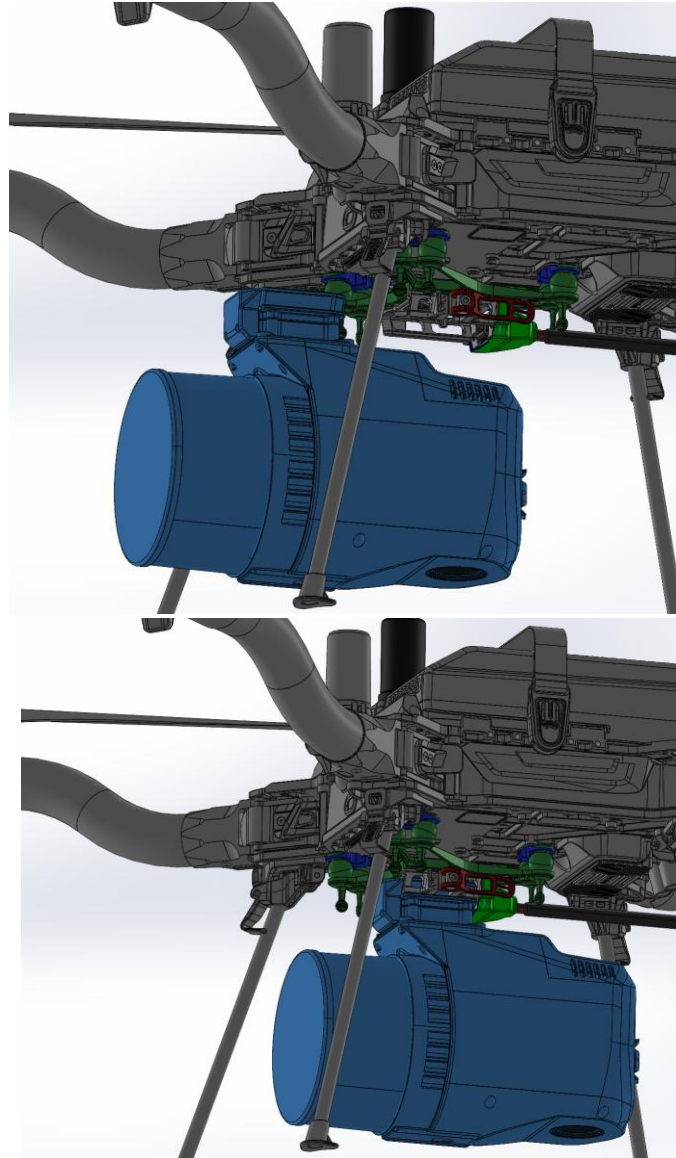
2.5 MM Hex Screwdriver
243 Medium Strength Tread Locker (Loctite)



Installing the mount

The TrueView One does not require any installation on the Freefly Astro Max. The Astro Max should be equipped with the Astro Isolator.

1. Slide the TrueView One payload into the smart dovetail adapter. Ensure the scanner is facing the front of the drone.



2. Lock the payload in place using the red clamp on the side of the smart dovetail.



CAUTION

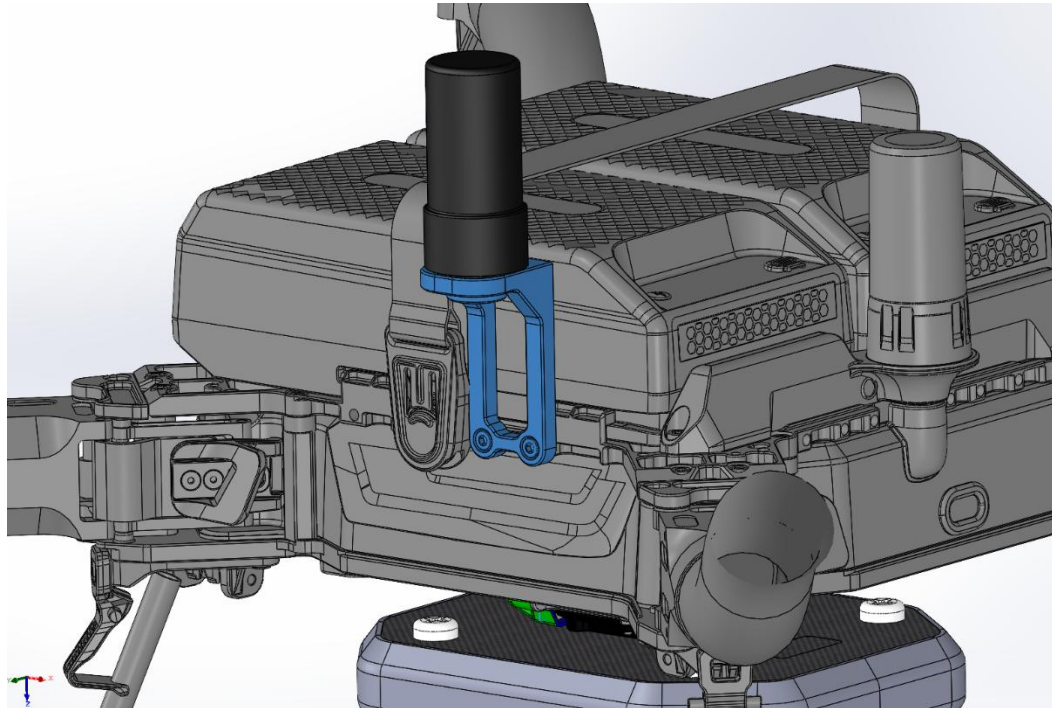
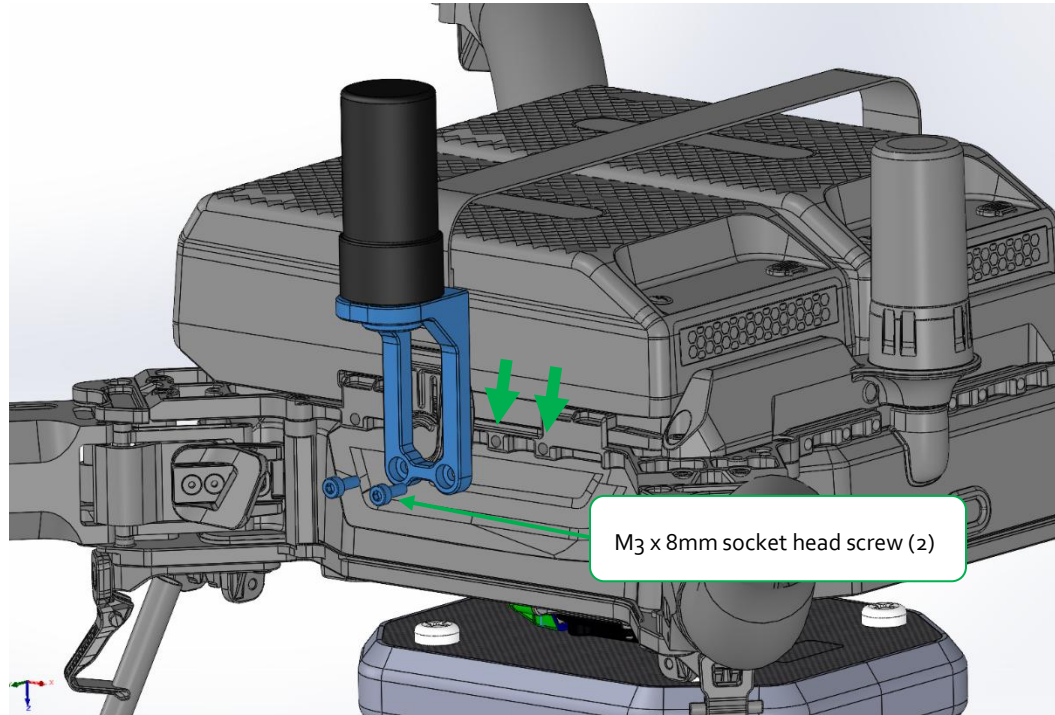
The drone must be powered off before inserting or removing the payload. The smart dovetail connector is not hot-swappable.



INSTALLING THE ANTENNA

For Astro Standard landing gear

1. Screw the GNSS antenna and cable onto the Astro antenna mount.
2. Screw the antenna mount onto the screw mount points (see image) on the Astro Max using two M3x8mm screws.

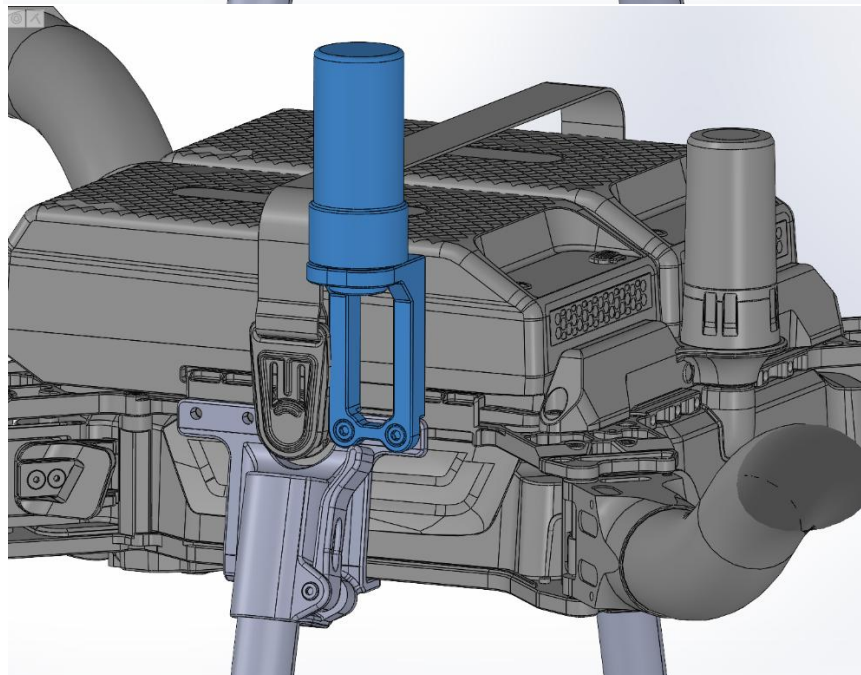
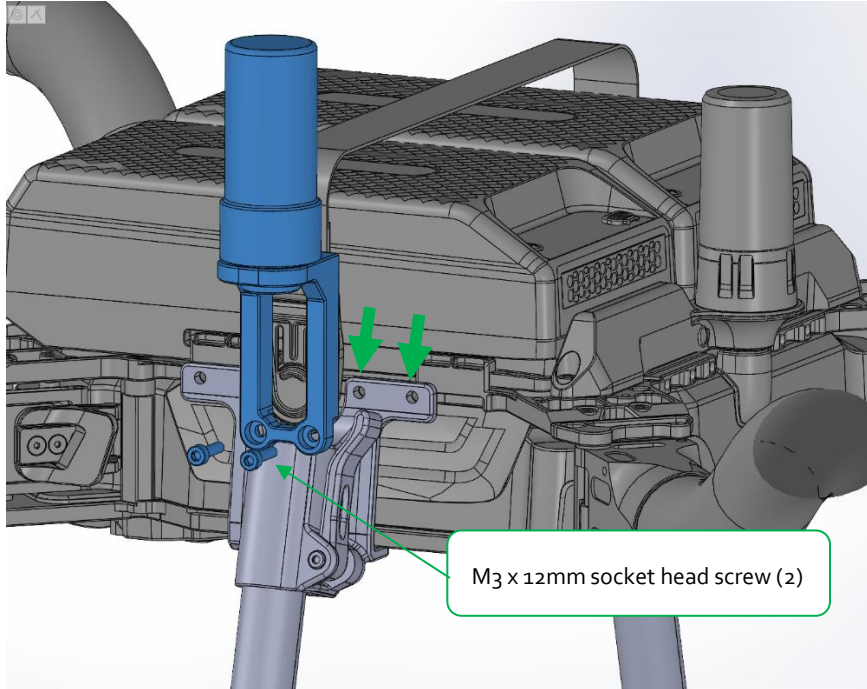




For Sentera extended landing gear

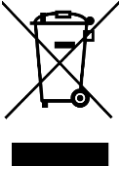
Please request the **MNT1002077A00T Freefly Astro antenna mount for extended landing gear** from Geocue if using the extended landing gear on the Astro Max.

1. Screw the GNSS antenna and cable onto the Astro antenna mount.
2. Remove the two screws on the front right of the extended landing gear.
3. Screw the antenna mount onto the side of the Astro Max using two M3x12mm screws.





DISPOSAL



Do not put batteries or other electrical equipment into general waste containers. Substances in batteries are harmful to human health and the environment. Dispose of electrical equipment at a collection point or recycling center. Contact your local authority for detailed information.



SUPPORT

Our searchable support knowledge base contains information on workflows, tips, hints, and probable resolutions to error messages or commonly encountered situations.

Normal support business hours are **Monday - Friday, 8 AM — 5 PM** USA Central Time.

Our GeoCue Support website contains general workflow information, in addition to specific issue and error messages that you may encounter. Click on the link and search for information contained in the knowledge base.

If a support request is sent during business hours a representative will typically get back to you within 4 hours. If received after hours, a response will be sent the following day. To speed response time please include the following information in your request:

- Contact information - please include e-mail address and phone number
- Company name
- Product name and version number
- Model and Serial Number

If your request includes problems pertaining to a specific error message, please include a screenshot of the error message.

For hardware and software support contact: support@geocue.com