

GeoCue  
10/30/2024  
Version 1.0

# Payload Adapter Installation Guide for the IF1200A Dual payload configuration



## TABLE OF CONTENTS

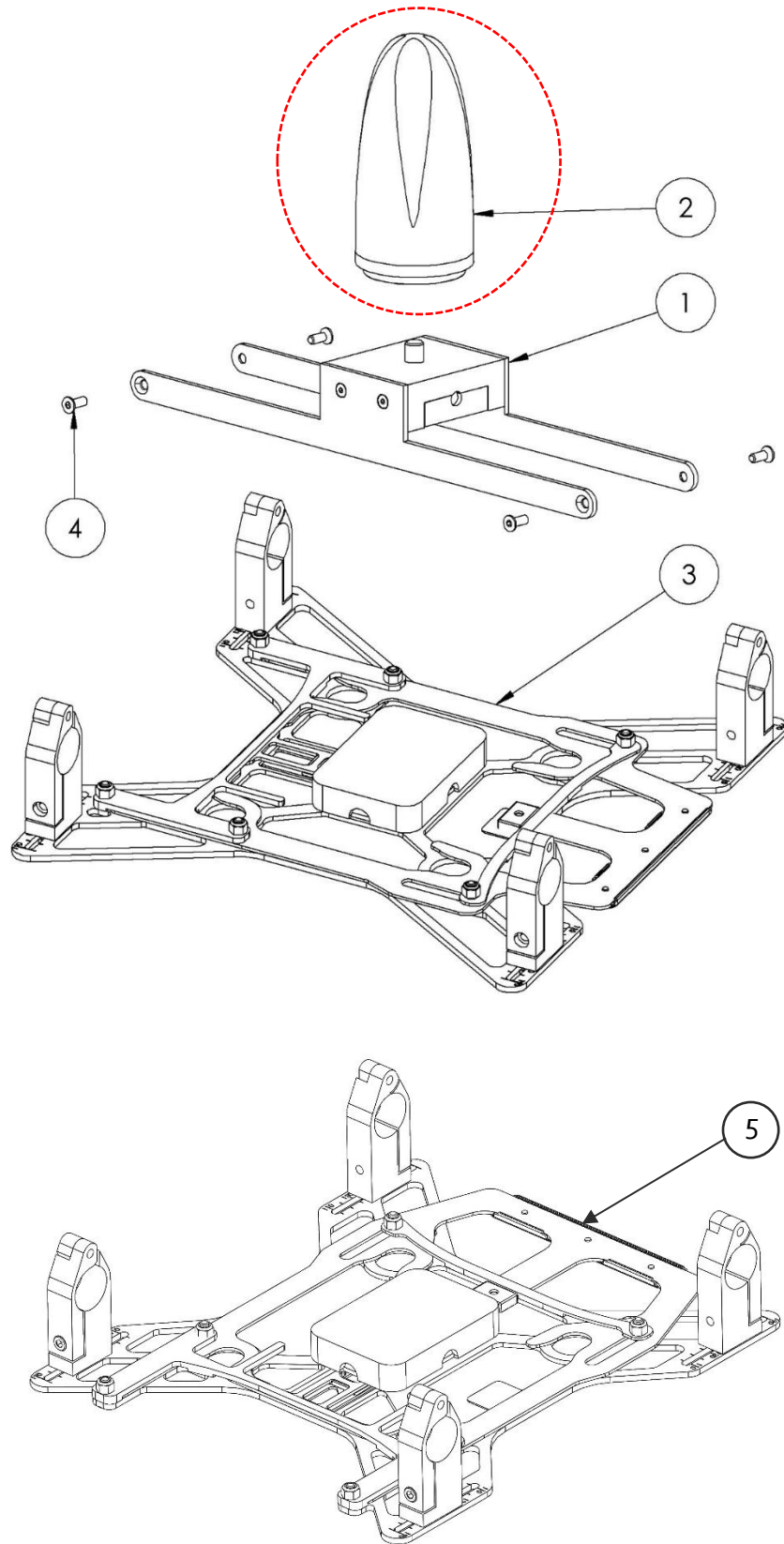
Payload adapter installation items .....	2
IF1200A Third Party Integration .....	4
IF1200A Third Party Integration: Payload Adapter .....	4
IF1200A Third Party Integration: AV18 Antenna Mast Installation.....	8
Disposal .....	11
Support.....	11
Table of Tables.....	12
Table of Figures .....	12

## PAYLOAD ADAPTER INSTALLATION ITEMS

Item number	Part Name	Article Number	Quantity
1	IF1200A Antenna mount	n/a	1
2	AV18 antenna <i>(not included)</i> *	ANT1000705A00T	1
3	VAR6 Front-latch tube mount assembly	ASY1001068A01N	1
4	M3x8 mm flat head screws	HDW1001301A00N	4
5	VAR3 Side-latch tube mount assembly	ASY1001060A02N	1
6	3ft Cable Right Angle SMB Jack to Right Angle SMA Jack <i>(not pictured)</i>	CAB1000799A00T	1
7	Payload adapter junction cable	n/a	1
8	Payload adapter power cable (XT60)	n/a	1
9	Loctite Threadlocker Blue 243 <i>(not pictured)</i>	MIS1000254A00N	1

\*AV18 antenna is not included in this kit and should be included in your payload kit.

**Table 1. List of payload adapter installation items.**



**Figure 1. Payload adapter installation items.**

IF1200A Third Party Integration: Payload Adapter

1. Position the Payload Adapter so the XYZ coordinate axis symbol of the Payload Adapter is facing the front of the IF1200A.

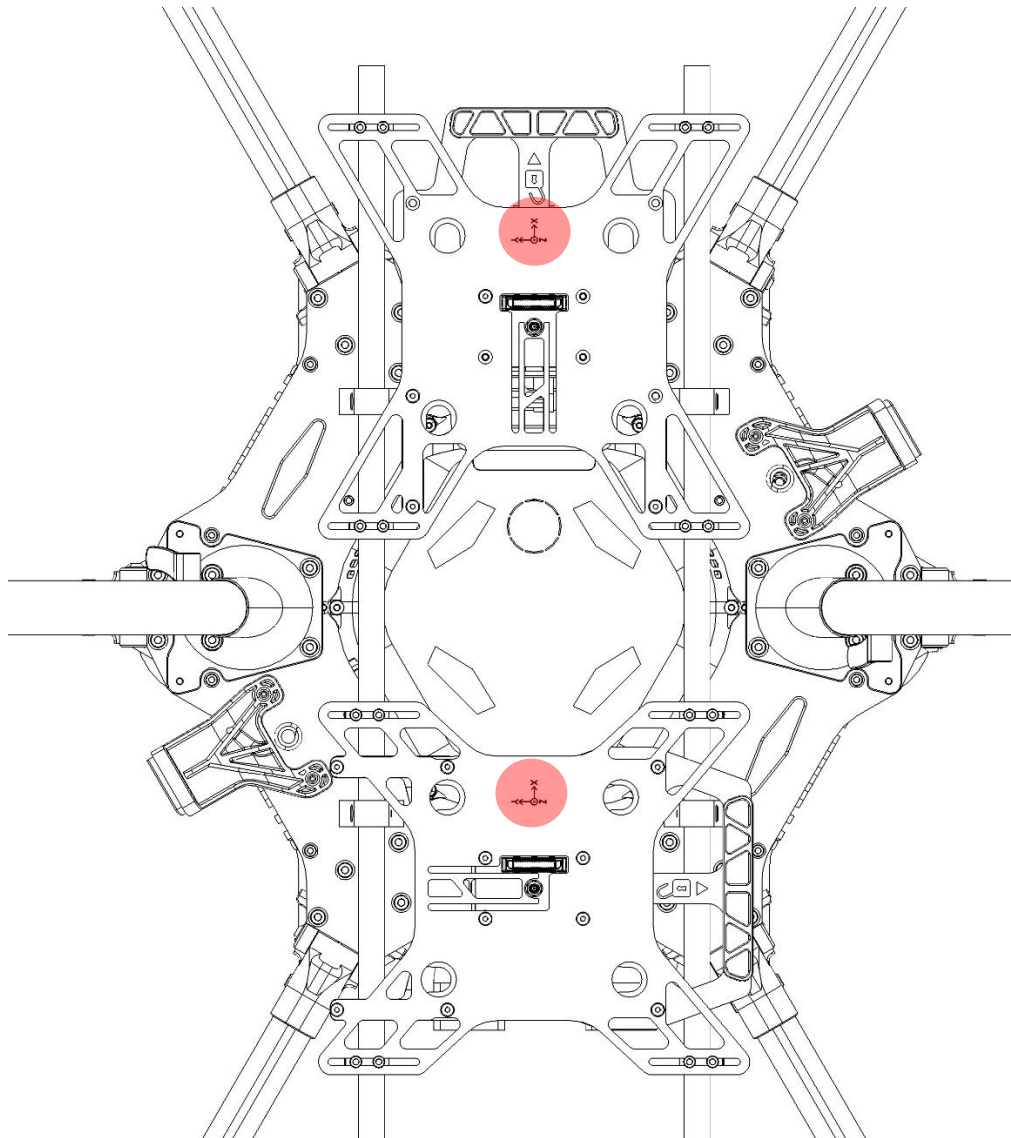
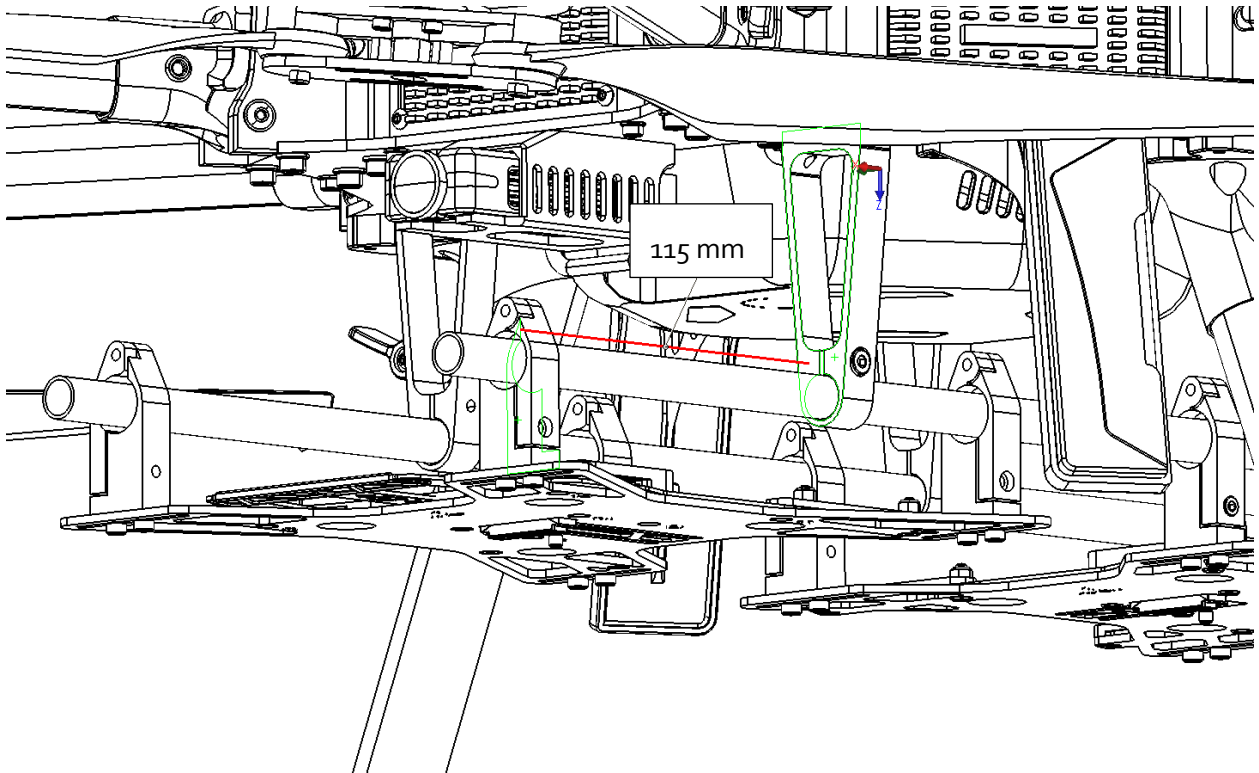


Figure 2. Position payload adapter.

2. Unscrew the four (4) Gremzy 12mm tube mount clamps so they are in the open position.
3. Install the front payload adapter onto the IF1200A and tighten the four (4) Gremzy 12mm tube mount clamps loosely so the payload adapter can slide to adjust into position.  
The distance between the adapter's front clip and the front clip of the IF1200A should be 115mm.



**Figure 3. Slide payload adapter into position.**

4. Make sure the orientation of the main plate is correct (handle towards the front). See step 1.
5. Position the back payload adapter (side-handle).  
The distance between the front and back payload adapter can be set with the positioning jig

(included). It should be 76mm between clips.

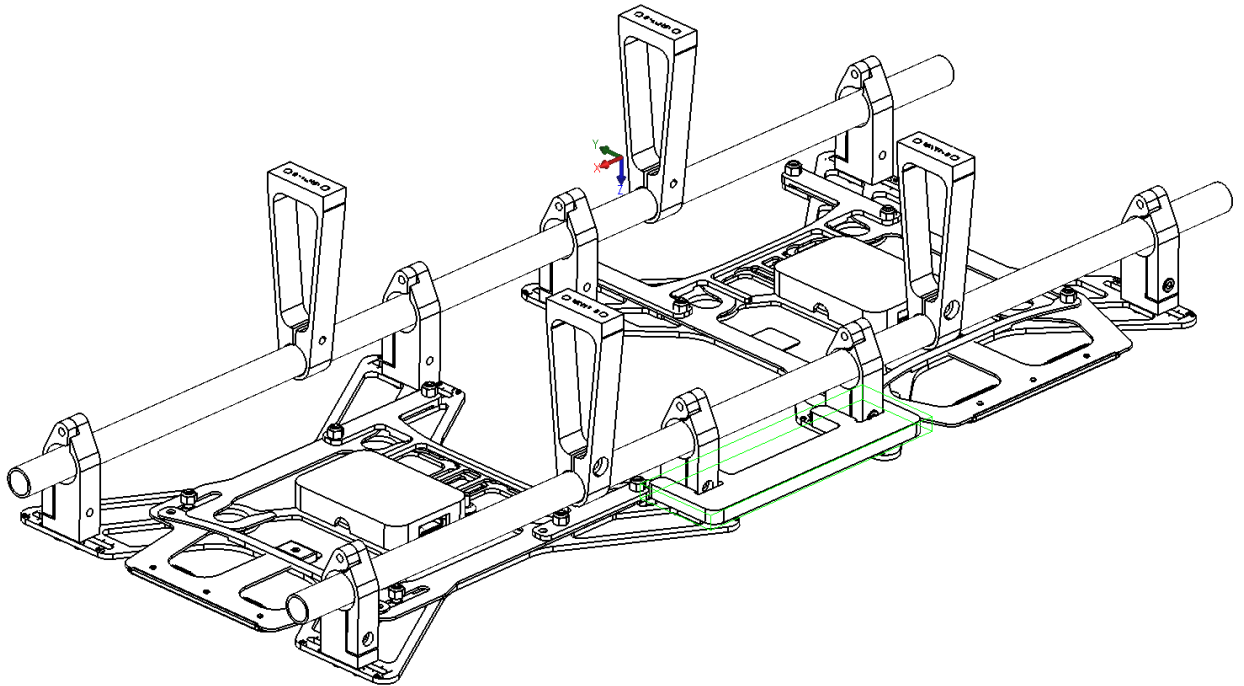


Figure 4 - Use of positioning jig

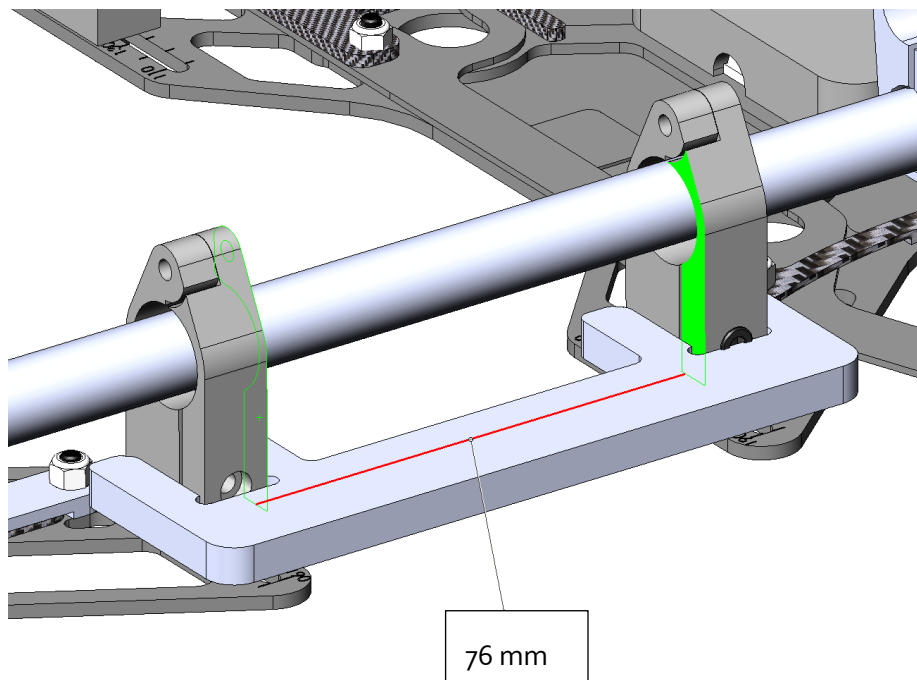


Figure 5 - Distance between front and back adapters

6. Verify that both payload adapter are joined by the Payload adapter junction cable (6)
7. Plug the Payload adapter power cable (XT60)(7) into each PLI adapter, and into the IF1200A's XT60 power port.

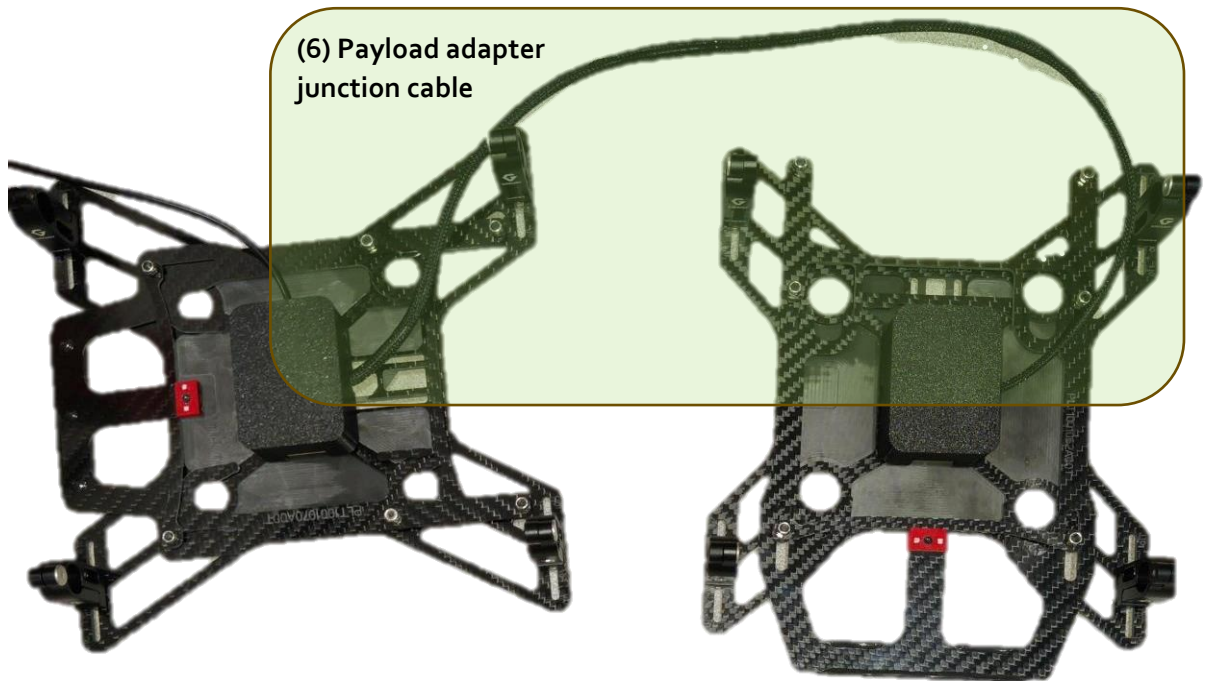


Figure 6 - Plug the power cable into the payload adapter

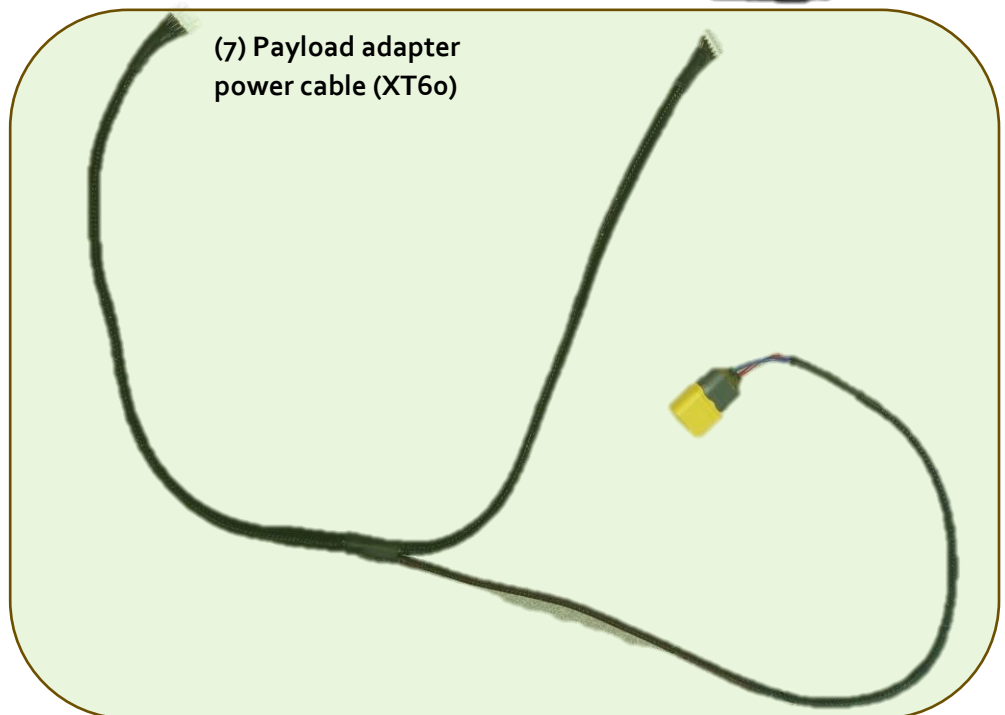
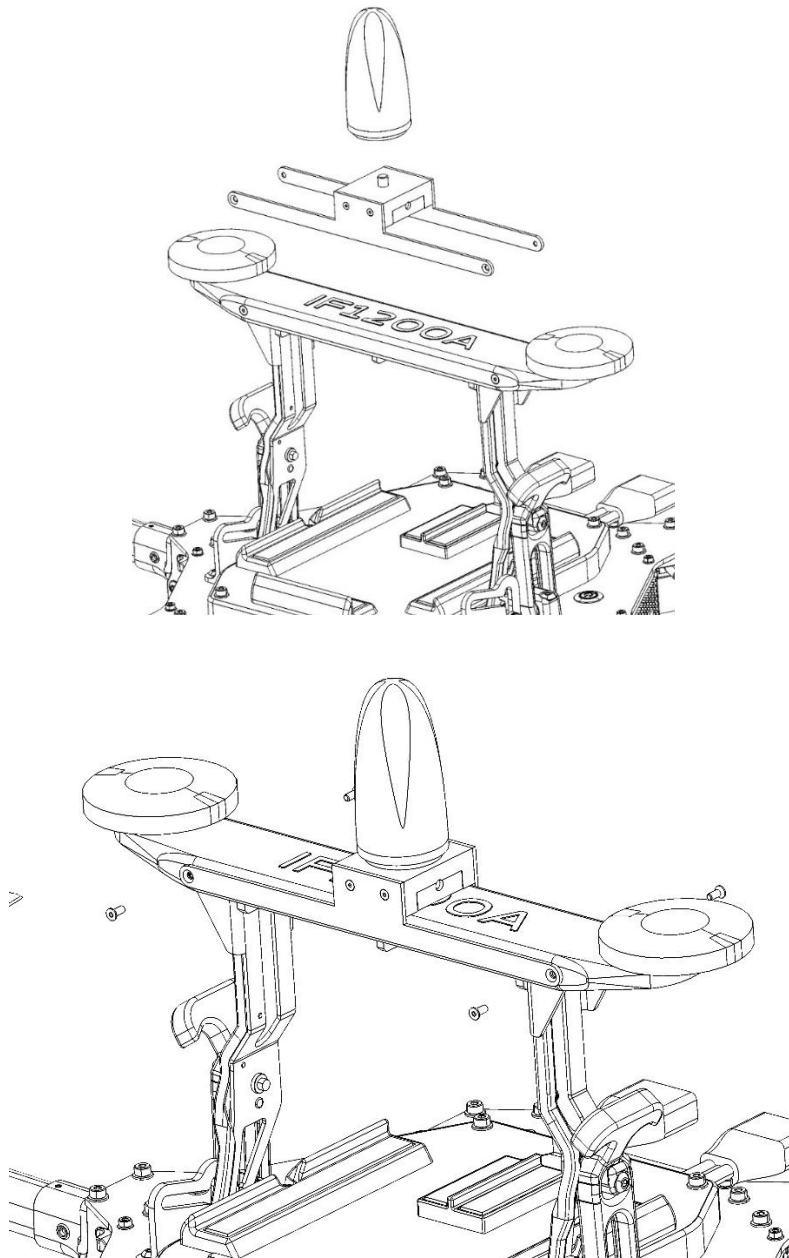


Figure 7 - Cables for the dual payload adapter setup

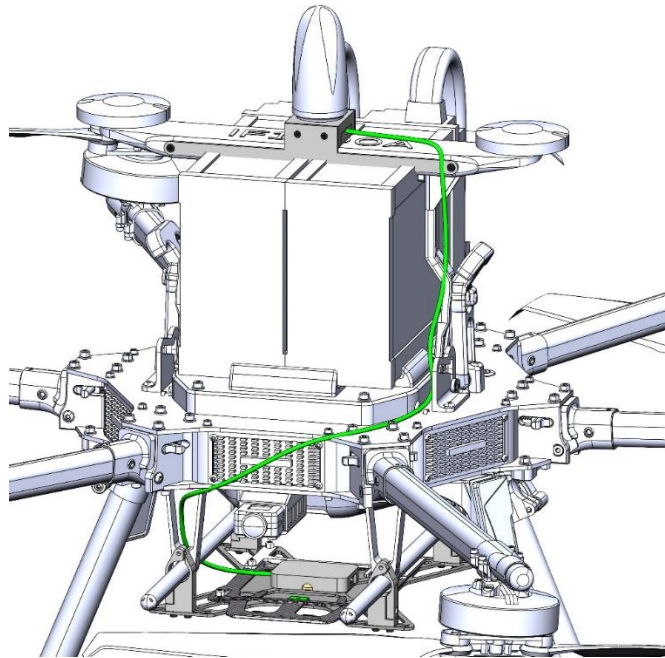
## IF1200A Third Party Integration: AV18 Antenna Mast Installation

1. Position the antenna assembly so the antenna cable is exiting towards the port side of the IF1200A drone.
2. Using four (4) M3x 8mm flat head screws, tighten the antenna assembly to the IF1200A drone body.



**Figure 8. AV18 antenna mast assembly.**

3. To route the antenna cable, run the cable from the payload adapter to the antenna following the detailed route shown below.



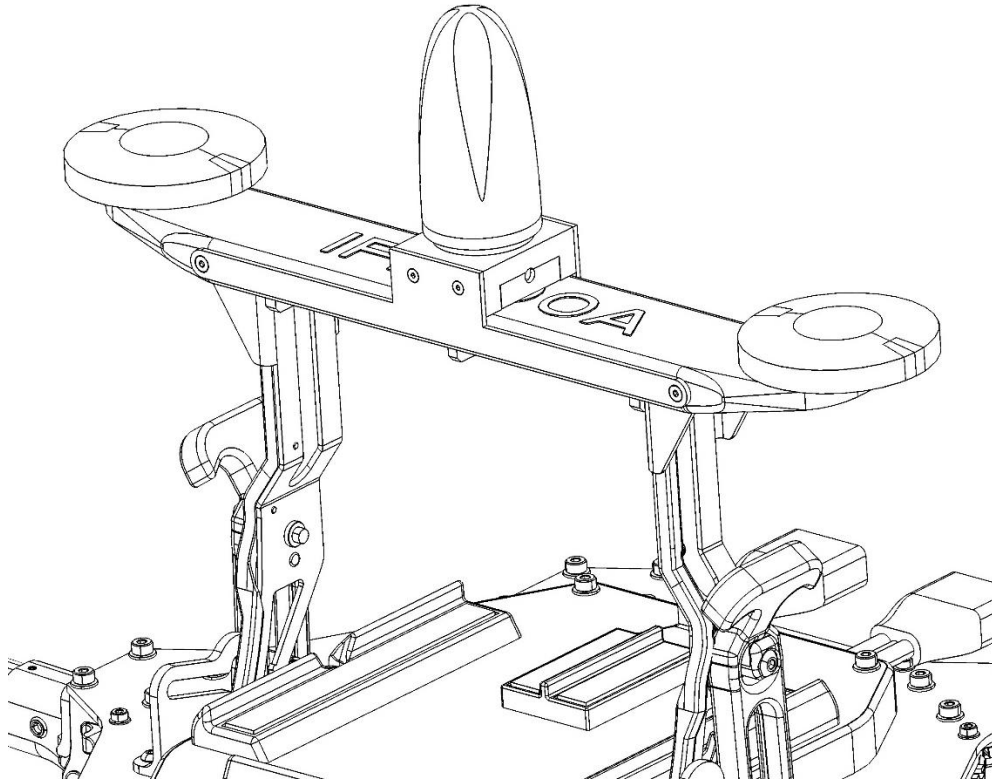
**Figure 9. Antenna cable routing.**

4. Attach the cable using zip-ties along the route of the cable, as follows:



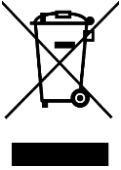
**Figure 10. Attach the cable using zip-ties.**

5. Install and tighten the AV18 antenna to the antenna mount assembly.



**Figure 11. Install and tighten the AV18 antenna to the mount assembly.**

## DISPOSAL



Do not put batteries or other electrical equipment into general waste containers. Substances in batteries are harmful to human health and the environment. Dispose of electrical equipment at a collection point or recycling center. Contact your local authority for detailed information.

## SUPPORT

Our searchable support knowledge base contains information on workflows, tips, hints, and probable resolutions to error messages or commonly encountered situations.

Normal support business hours are **Monday - Friday, 8 AM — 5 PM** USA Central Time.

Our GeoCue Support website contains general workflow information, in addition to specific issue and error messages that you may encounter. Click on the link and search for information contained in the knowledge base.

If a support request is sent during business hours a representative will typically get back to you within 4 hours. If received after hours, a response will be sent the following day. To speed response time please include the following information in your request:

- Contact information - please include e-mail address and phone number
- Company name
- Product name and version number
- Model and Serial Number

If your request includes problems pertaining to a specific error message, please include a screenshot of the error message.

For hardware and software support contact: [support@geocue.com](mailto:support@geocue.com)

**TABLE OF TABLES**

Table 1. List of payload adapter installation items. ....2

**TABLE OF FIGURES**

Figure 1. Payload adapter installation items. .... 3  
Figure 2. Position payload adapter.....4  
Figure 3. Slide payload adapter into position. .... 5  
Figure 4 -Use of positioning jig .....6  
Figure 5 - Distance between front and back adapters .....6  
Figure 6 - Plug the power cable into the payload adapter .....7  
Figure 7 - Cables for the dual payload adapter setup.....7  
Figure 8. AV18 antenna mast assembly. .... 8  
Figure 9. Antenna cable routing. .... 9  
Figure 10. Attach the cable using zip-ties. .... 9  
Figure 11. Install and tighten the AV18 antenna to the mount assembly. .... 10